

Series NB-530

REPLACEMENT PARTS



NAMEPLATE DATA

Neptune Benson NSF® - 50			SWIMMING POOL PUMP NON-SELF-PRIMING	
SERIES	NB-530	SSF 8.50	GPM	180
SIZE	2BD	CW	FT.	63
MODEL NO.	1AK820	L42	HP	5
PSI MAX	175	MOD. CCP	RPM	1800
NB PN	1003-8647			
MORTON GROVE. IL U.S.A.		ASSEMBLED IN U.S.A.	P2008111 REV 1	

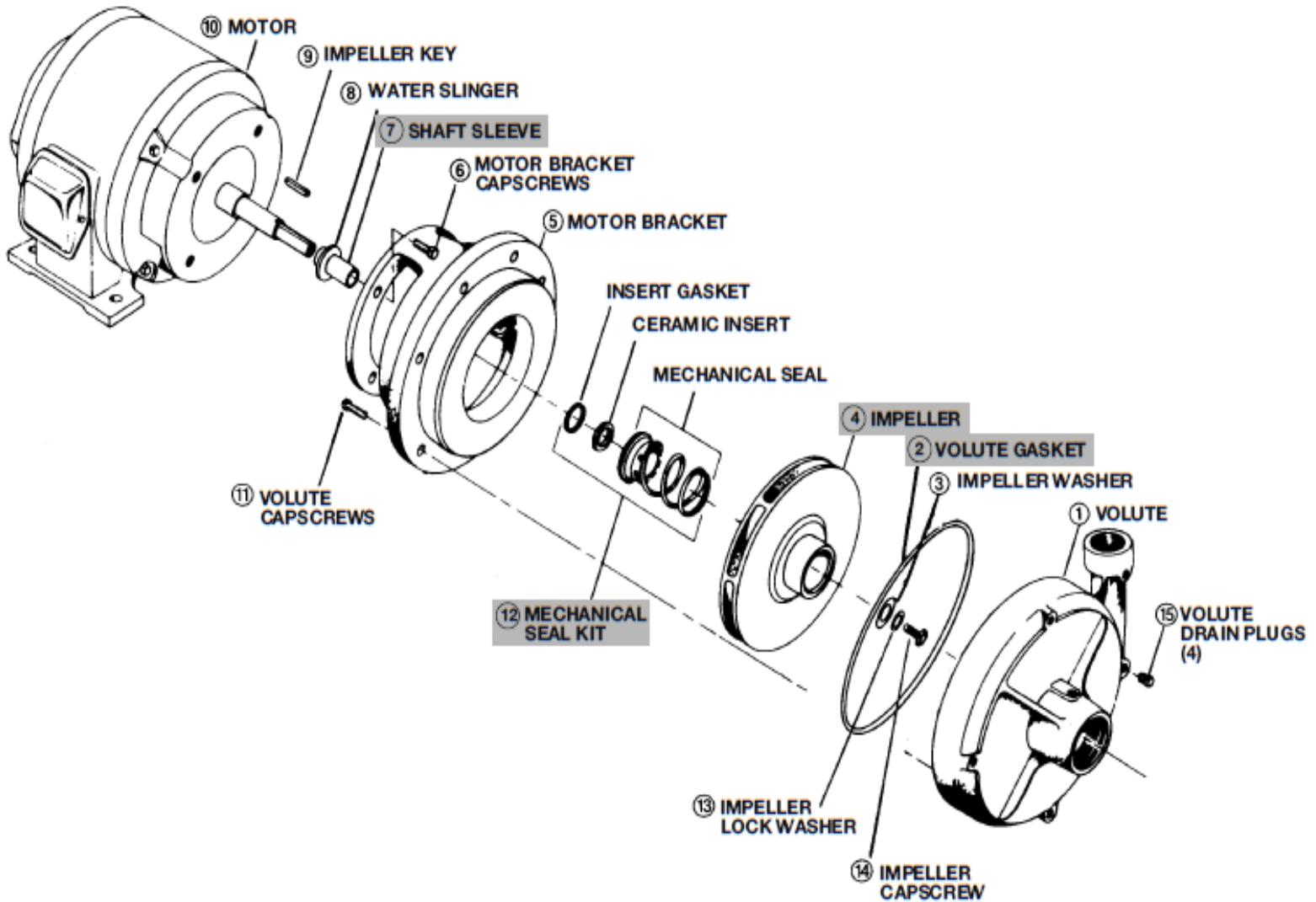
The pump nameplate identifies the pump by pipe size, pump construction and impeller diameter as shown above. In this example, the nameplate shows an NB-530, size 2BD in stainless steel fitted (SSF) construction. The impeller diameter is 8.50" and the motor is 5 HP, 1800 RPM synchronous speed. The serial number specifically identifies the pump for future reference. NB PN shows the pump part number which can be used for the Parts List below.

DO NOT REMOVE THE NAMEPLATE. It is important when ordering replacement parts to furnish complete nameplate data.

TYPICAL MOTOR FRAME SIZE SELECTION CHART

3 PH MOTOR FRAME SELECTION	
	TEFC
HP	1800
5	184
7.5	213
10	215
15	254
20	256
25	284
30	286
40	324

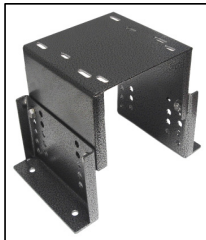
SERIES NB-530 STANDARD SEAL CONSTRUCTION EXPLODED VIEW



PARTS LIST

		Pump Size and Part Number									
		5 HP	7.5 HP	10 HP	10 HP	15 HP	15 HP	20 HP	25 HP	30 HP	40 HP
		1003-8647	1003-8648	1003-8649	1004-2714	1003-8650	1004-2715	1003-8651	1003-8652	1003-8653	1003-8654
ITEM	DESCRIPTION (QTY)	1003-8655	1003-8656	1003-8658	1004-2716	1003-8660	1004-2717	1003-8661	1003-8663	1003-8665	1003-8666
1	Volute (epoxy-coated) with wear ring	1004-2724	1004-2724	1004-2723	1004-2729	1004-2729	1004-2730	1004-2730	1004-2731	1004-2722	1004-2722
2	Volute Gasket	See 2-Year Maintenance Kit 1004-2416				See 2-Year Maintenance Kit 1004-2417					
3	Impeller Washer	1004-2725				1004-2726					
4	Impeller	1004-2432	1004-2435	1004-2436	1004-2718	1004-2437	1004-2719	1004-2483	1004-2434	1004-2433	1004-2431
5	Motor Bracket (epoxy-coated)	1004-2721	1004-2720	1004-2720	1004-2720	1004-2732	1004-2732	1004-2732	1004-2733	1004-2733	1004-2733
6	Motor Bracket Capscrew (4)	Hex Head 3/8"-16 x 7/8", Gr 2, zinc plated	Hex Head 1/2"-13 x 1", Gr 2, zinc plated			n/a	n/a	n/a	Hex Head 5/8"-11 x 1-1/2", Gr 2, zinc plated		
6	Motor Bracket Stud (4)	n/a				1/2"-13 x 1-15/16"			n/a	n/a	n/a
7	Shaft Sleeve Kit	See 2-Year Maintenance Kit 1004-2416				See 2-Year Maintenance Kit 1004-2417					
8	Water Slinger	1004-2734	1004-2734	1004-2734	1004-2734	1004-2735	1004-2735	1004-2735	1004-2735	1004-2735	1004-2735
9	Impeller Key	1004-2727	1004-2727	1004-2727	1004-2727	1004-2728	1004-2728	1004-2728	1004-2728	1004-2728	1004-2728
11	Volute Capscrew (12)	Hex head 7/16" - 14 x 1", Gr. 2 Steel				Hex Head 7/16" x 1-1/4", Gr 2 Steel					
12	Seal Kit	See 2-Year Maintenance Kit 1004-2416				See 2-Year Maintenance Kit 1004-2417					
13	Impeller Lockwasher	3/8" Lock washer, 18-8				1/2" Lock washer, 18-8					
14	Impeller Capscrew	Hex head 3/8"-16 x 1-1/8", 300 series stainless steel				Hex head 1/2"-13 x 1-1/2", 300 series stainless steel					
15	Volute Drain Plug (4)	Pipe Plug 1/4" NPT									
2-Year Maintenance Kit		1004-2416				1004-2417					
2	Volute Gasket										
7	Shaft Sleeve Kit										
12	Seal Kit										

MOUNTING BASES



Part Number	Compatible pumps
1000-5594	5-10 HP
1000-5596	15-40 HP

Part Number	Compatible pumps
1000-5595	5-10 HP
1000-5597	15-40 HP

xylem
Let's Solve Water

Xylem Inc.
334 Knight Street, Suite 3100
Warwick, RI 02886
Phone: +1 401-821-2200

All information presented herein is believed reliable and in accordance with accepted engineering practices. Xylem makes no warranties as to the completeness of this information. Users are responsible for evaluating individual product suitability for specific applications. Xylem assumes no liability whatsoever for any special, indirect or consequential damages arising from the sale, resale or misuse of its products. Subject to change without notice.

Xylem is a registered trademark of Xylem Inc. or one of its subsidiaries. All other trademarks or registered trademarks are property of their respective owners.
© 2024 Xylem Inc. NB-530PL 137 R1 December 2024